



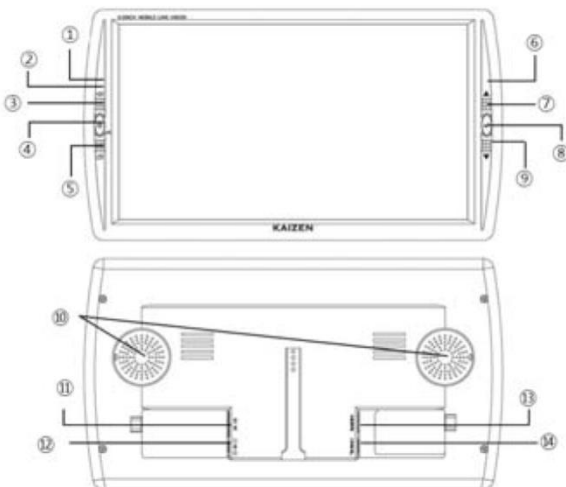
9 INCHES WVGA TFT LED HDMI MONITOR (HDMI Input)

HVM-09

FEATURES

- 9" WVGA Transparent TN LED Monitor
- 800(H) x 3(RGB) x 480(V) Resolution
- 1 x Mini HDMI Input, 1 x AUX Input
- 1 x USB Socket with Auto-Recharge for Smartphone
- Suitable for HD Resolution System (16:9 Ratio)
- Power Input : DC14.4V
- Operating Power Range : DC 10V ~ 28V
- Automatic Light Sensor (Dimming Control)
- Rear Camera Auto Detection (Video)
- 2Ch Speakers Built-in (4W = 2W x 2)
- Dashboard Mount Bracket, Remote Controller Include
- Option : HDMI Cable, Cigar Jack Power Cable

DIMENSION



MONITOR SPECIFICATIONS

MONITOR

Screen Size	9.0 Inches
LCD	Transparent TN LCD Panel
Driver	TFT Active Matrix
Quality	WVGA
Total Pixels	1,152 M Pixels
Effective Pixels	99.9%
Back Lighting	LED BLU
Brightness	480cd

GENERAL

Input Power	DC 14.4V
Operating Range	DC 10V ~ DC 28V / 800mA @ DC12V
Ground	Negative Ground
Dimension	239 (H) x 133 (V) x 22 (T)mm
Weight	440g (Monitor Only)
Operating Temp.	-20° C ~ +70° C

- | | |
|-----------------------|-------------------------|
| ① Dimming Sensor | ② Power LED |
| ③ Source Button | ④ Power / Mute |
| ⑤ Menu Button | ⑥ Remote control sensor |
| ⑦ Volume Up Button | ⑧ Select Button |
| ⑨ Volume Down Button | ⑩ Speaker Hole |
| ⑪ A/V Input Connector | ⑫ ACC Power Input |
| ⑬ HDMI Connector | ⑭ MHL Connector |

MLV-900

9 INCHES WVGA TFT LED HDMI MONITOR (HDMI Input)

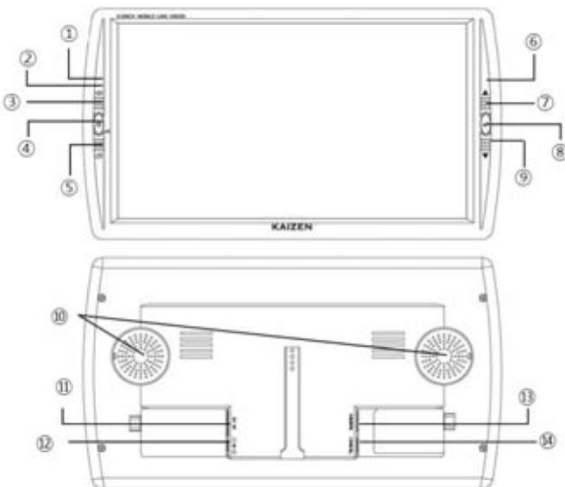
Design



Key Features

- 9" WVGA Transparent TN LED Monitor
- 800(H) x 3(RGB) x 480(V) Resolution
- 1 x Mini HDMI Input, 1 x AUX Input
- 1 x USB Socket with Auto-Recharge for Smartphone
- Suitable for HD Resolution System (16:9 Ratio)
- Power Input : DC14.4V
- Operating Power Range : DC 10V ~ 28V
- Automatic Light Sensor (Dimming Control)
- Rear Camera Auto Detection (Video)
- 2Ch Speakers Built-in (4W = 2W x 2)
- Dashboard Mount Bracket, Remote Controller Include
- Option : HDMI Cable, Cigar Jack Power Cable

Functions



- | | |
|-----------------------|-------------------------|
| ① Dimming Sensor | ② Power LED |
| ③ Source Button | ④ Power / Mute |
| ⑤ Menu Button | ⑥ Remote control sensor |
| ⑦ Volume Up Button | ⑧ Select Button |
| ⑨ Volume Down Button | ⑩ Speaker Hole |
| ⑪ A/V Input Connector | ⑫ ACC Power Input |
| ⑬ HDMI Connector | ⑭ MHL Connector |

Technical Specifications

Model	MLV-900
MONITOR	
Screen Size	9.0 Inches
LCD	Transparent TN LCD Panel
Driver	TFT Active Matrix
Quality	WVGA
Total Pixels	1,152 M Pixels
Effective Pixels	99.9%
Back Lighting	LED BLU
Brightness	480cd
GENERAL	
Input Power	DC 14.4V
Operating Range	DC 10V ~ DC 28V / 800mA @ DC12V
Ground	Negative Ground
Dimension	239 (H) x 133 (V) x 22 (T)mm
Weight	440g (Monitor Only)
Operating Temp.	-20° C ~ +70° C